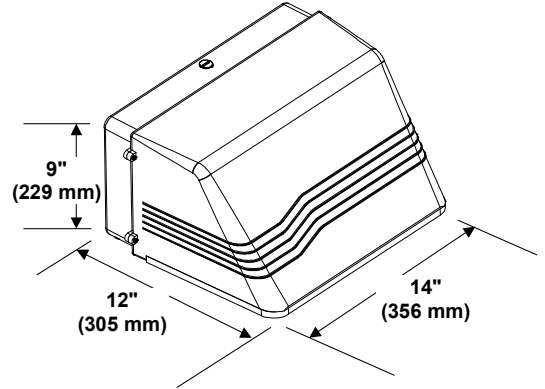




WTZS – Wall pack Trapezoid Small
Metal Halide Pulse Start 50 – 150 W
Metal Halide 175 W
High Pressure Sodium 35 – 150 W
Fluorescent Quad Tube 2 x 26 - 42 W



DESCRIPTION

The WTZS is an architectural grade full cutoff wall pack for up to MP 150W, MH 175W, HPS 150W or Fluorescent quad tube 2 x 42W lamps. Fully Dark Sky compliant. U.L. listed for wet locations.

APPLICATION

Ideal for security lighting around commercial, industrial and residential buildings where limiting glare and light trespass are important while maintaining an aesthetically appealing dayform appearance.

Can also be used as an upright for accent lighting of facades.



HOUSING

The housing is made of high pressure die cast aluminum and finished in a dark bronze polyester powder coat paint finish for lasting corrosion resistance.

BALLAST

High Power Factor, Constant Wattage Autotransformer ballasts, Multi Tap (120/208/240/277V) or reactor 120V ballasts for HPS. Minimum starting temperature is -20°F (-30°C) for MP and MH, -40°F (-40°C) for HPS. Electronic ballasts for Fluorescent 2x26, 32 or 42W in Dual Tap (120/277V).

SOCKET

Medium base, 4KV pulse rated porcelain socket for HID lamps. Positive latching thermoplastic socket for fluorescent lamps.

MOUNTING

Knockout pattern provided on back casting for mounting to junction boxes. Three ½" threaded entry hubs provided for top or side conduit wiring and through wiring.

REFLECTOR

Die formed, anodized aluminum.

GASKET

Silicone rubber for long life.

LENS

Flat borosilicate glass, impact and heat resistant.

CATALOG NUMBER LOGIC

WTZS-

Product Series

WTZS = Wall pack Trapezoid Small

MP

Lamp Type

MP = Metal Halide Pulse Start
 MH = Metal Halide
 HP = High Pressure Sodium
 FL = Fluorescent quad tube

150-

Lamp Wattage

(MP) 50, 70, 100, 150
 (MH) 175
 (HPS) 35, 50, 70, 100, 150
 (FL) 226 = 2 x 26W
 232 = 2 x 32W
 242 = 2 x 42W

MT-

Voltage

MT = Multi Tap
 120/208/240/277V
 DT = Dual Tap 120/277V
 120V = 120V
 480V = 480V

L

Lamp

L = Lamp Included

OPTIONS

EM – Emergency ballast for FL versions.