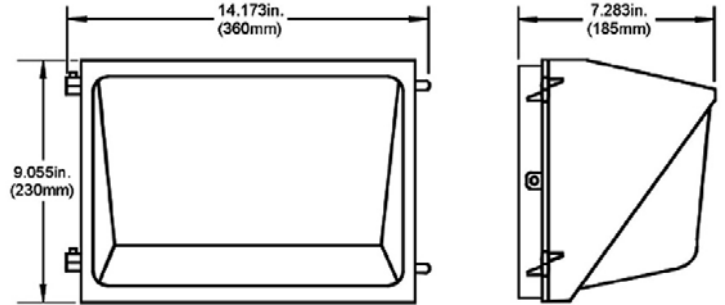




WPS - Wall Pack Small
 Fluorescent Quad Tube 2 x 42 W
 High Pressure Sodium 100 – 150 W
 Metal Halide 70 – 175 W



DESCRIPTION

The WPS is designed for up to Fluorescent 2 x 42W, HPS 150W or MH 175W lamps. Its rugged die cast aluminum housing and borosilicate glass lens give it long lasting performance. U.L. listed for wet locations.

APPLICATION

Ideal for security lighting around commercial, industrial and residential buildings where lower mounting heights are available.

HOUSING

The housing is made of high pressure die cast aluminum and finished in a dark bronze polyester powder coat paint finish for lasting corrosion resistance.

BALLAST

High Power Factor, Constant Wattage Autotransformer ballasts. Multi Tap (120/208/240/277V) or 480V ballasts. Minimum starting temperature is -40°F (-40°C) for HPS and -20°F (-30°C) for MH. Electronic ballasts for Fluorescent 2x26, 32 or 42W in Dual Tap (120/277V).

SOCKET

Medium base, 4KV pulse rated porcelain socket for HID lamps. Positive latching thermoplastic socket for fluorescent lamps.

REFLECTOR

Die formed, anodized aluminum.

GASKET

Silicone rubber for long life.

LENS

Prismatic borosilicate glass, impact and heat resistant. The door assembly holding the lens is secured with a stainless steel chain to ensure easy relamping without lens breakage.

CATALOG NUMBER LOGIC

WPS-

Product Series
 WPS = Wall Pack Small

MH

Lamp Type
 FL = Fluorescent quad tube
 HP = High Pressure Sodium
 MH = Metal Halide
 MP = Metal Halide Pulse Start

175-

Lamp Wattage
 (FL) 242 = 2 x 42W
 (HPS) 100, 150
 (MH) 70, 100, 175
 (MP) 150

MT-

Voltage
 MT = Multi Tap 120/208/240/277V
 DT = Dual Tap 120/277V
 480V = 480V

L

Lamp
 L = Lamp Included

OPTIONS

WPS-WG – Wire Guard for WPS fixture.
 WPS-GS – Glare Shield for WPS fixture.

WPS-VS – Vandal Shield for WPS fixture.
 PC-XXX – Button Photocell (XXX = specify voltage).