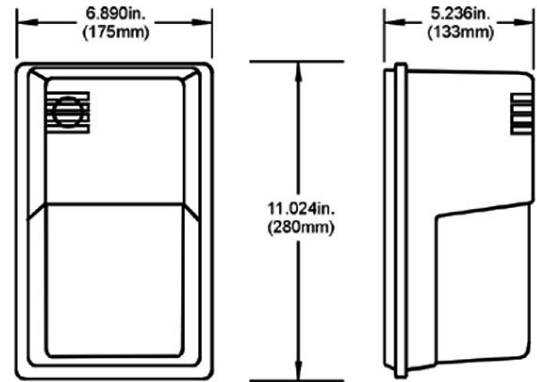




WPR - Wall Pack Rectangular
Metal Halide Pulse Start 50 – 100 W
High Pressure Sodium 35 – 70 W
Fluorescent Quad Tube 1x13, 2x13, 1x26 - 42 W



DESCRIPTION

The WPR is an economical and compact low wattage security light. Its integrated photocell allows the unit to turn on automatically at dusk and turn off at dawn. U.L. listed for wet locations.

APPLICATION

Ideal for security lighting around commercial, industrial and residential buildings where lower mounting heights are available. Ideal as an automatically operating security light.

BACK PLATE

The housing's back plate is made of high pressure die cast aluminum. The back plate is designed for mounting over an outlet box. A bottom threaded conduit entry hub is also provided for surface conduit wiring.

BALLAST

Normal Power Factor, Reactor ballasts for HPS in 120V. Reactor ballasts for Fluorescent 1x13 or 2x13W. Electronic ballasts for Fluorescent 1x26, 32 or 42W in 120V.

SOCKET

Medium base, 4KV pulse rated porcelain socket for HID lamps. Positive latching thermoplastic socket for fluorescent lamps.

REFLECTOR

Aluminum.

GASKET

Silicone rubber for long life.

HOUSING & LENS

For HPS, an injection molded polycarbonate housing mounts onto the back plate with two captive screws. Injection molded prismatic lens, UV stabilized. MP 50 -100 W and FL 1x42W versions come with a die cast aluminum housing and a glass lens.

PHOTOCELL

Integrated photocell for automatic operation.

CATALOG NUMBER LOGIC

WPR-

Product Series
 WPR = Wall Pack Rectangular

HP

Lamp Type
 MP = Metal Halide Pulse Start
 HP = High Pressure Sodium
 FL = Fluorescent twin tube or quad tube

70-

Lamp Wattage
 (MP) 50, 70, 100
 (HPS) 35, 50, 70
 (FL) 113 = 1 x 13W
 213 = 2 x 13W
 126 = 1 x 26W
 132 = 1 x 32W
 142 = 1 x 42W

120V-

Voltage
 120V = 120V

PC-

Photocell
 PC = Photocell

L

Lamp
 L = Lamp Included