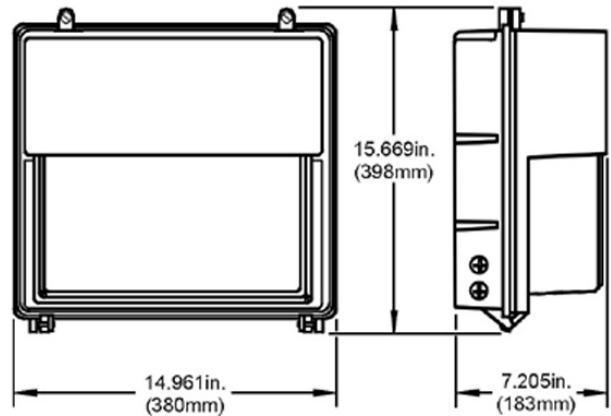




WPP – Wall pack Perimeter Protector
 Metal Halide Pulse Start 150 - 400 W
 Metal Halide 175 - 400 W
 High Pressure Sodium 150 - 400 W



DESCRIPTION

The WPP – Wall pack Perimeter Protector is designed for up to 400W lamps. Its rugged die cast aluminum housing and borosilicate glass lens give it long lasting performance. U.L. listed for wet locations.

APPLICATION

Ideal for lighting the perimeter area around commercial, industrial and residential buildings where higher mounting heights are available and a large area needs to be lit. Its 7.2" depth gives it a sleeker and slimmer profile than other 400W wall packs on the market.

HOUSING

The housing is made of high pressure die cast aluminum and finished in a dark bronze polyester powder coat paint finish for lasting corrosion resistance.

BALLAST

High Power Factor, Constant Wattage Autotransformer ballasts, Multi Tap (120/208/240/277V). Minimum starting temperature is -20°F (-30°C) for MP and MH, -40°F (-40°C) for HPS.

SOCKET

Mogul base, 4KV pulse rated porcelain socket.

MOUNTING

Knockout pattern provided on back casting for mounting to junction boxes. 1/2" threaded entry hubs provided for surface conduit wiring and through wiring.

REFLECTOR

Die formed, anodized aluminum.

GASKET

Silicone rubber for long life.

LENS

Prismatic borosilicate glass, impact and heat resistant.

CATALOG NUMBER LOGIC

WPP-

Product Series
 WPP = Wall pack Perimeter Protector

MP

Lamp Type
 MP = Metal Halide Pulse Start
 MH = Metal Halide
 HP = High Pressure Sodium

400-

Lamp Wattage
 (MP) 150, 200, 250, 320, 350, 400
 (MH) 175, 250, 400
 (HPS) 150, 250, 400

MT-

Voltage
 MT = Multi Tap
 120/208/240/277V
 480V = 480V

L

Lamp
 L = Lamp Included

OPTIONS

WPP-WG – Wire Guard for WPP fixture.
 PC-XXX – Button Photocell (XXX = specify voltage).