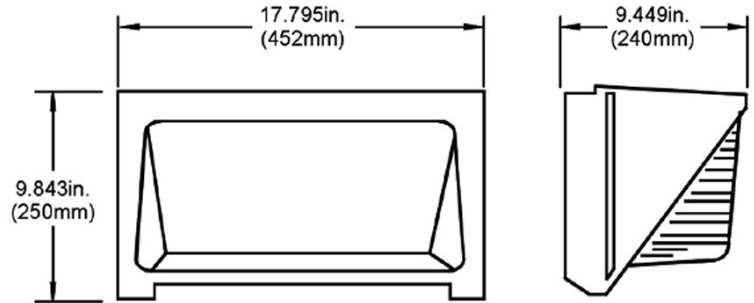




WPM - Wall Pack Medium
Metal Halide Pulse Start 200 – 250 W
Metal Halide 250 W
High Pressure Sodium 250 W



DESCRIPTION

The WPM is designed for up to 250W lamps. Its rugged die cast aluminum housing and borosilicate glass lens give it long lasting performance. U.L. listed for wet locations.

APPLICATION

Ideal for security lighting around commercial, industrial and residential buildings where higher mounting heights are available.

HOUSING

The housing is made of high pressure die cast aluminum and finished in a dark bronze polyester powder coat paint finish for lasting corrosion resistance.

BALLAST

High Power Factor, Constant Wattage Autotransformer ballasts, Multi Tap (120/208/240/277V). Minimum starting temperature is -20°F (-30°C) for MP and MH, -40°F (-40°C) for HPS.

SOCKET

Mogul base, 4KV pulse rated porcelain socket.

REFLECTOR

Die formed, anodized aluminum.

GASKET

Silicone rubber for long life.

LENS

Prismatic borosilicate glass, impact and heat resistant. The door assembly holding the lens is secured with a stainless steel chain to ensure easy relamping without lens breakage.

CATALOG NUMBER LOGIC

WPM-

Product Series
WPM = Wall Pack
Medium

MP

Lamp Type
MP = Metal Halide
Pulse Start
MH = Metal Halide
HP = High Pressure
Sodium

250-

Lamp Wattage
(MP) 200, 250
(MH) 250
(HPS) 250

MT-

Voltage
MT = Multi Tap
120/208/240/277V
480V = 480V

L

Lamp
L = Lamp
Included

OPTIONS

WPL-WG – Wire Guard for WPM or WPL fixture.
WPL-GS – Glare Shield for WPM or WPL fixture.
WPL-VS – Vandal Shield for WPM or WPL fixture.
PC-XXX – Button Photocell (XXX = specify voltage).