



**WAR – Wallpack Architectural Round**  
**Metal Halide Pulse Start 70 – 150 W**  
**High Pressure Sodium 35 – 150 W**  
**Fluorescent Quad Tube 2 x 26 - 42 W**  
**Induction 80 W**  
**LED 1 – 3 x 15 W**



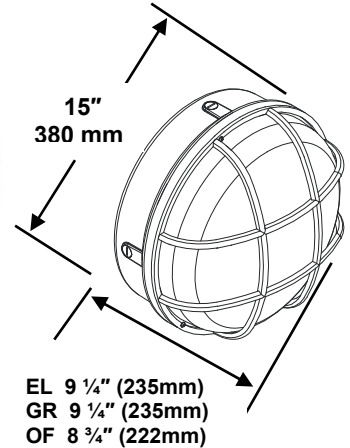
EL  
Eyelid



GR  
Grid



OF  
Open Face



**DESCRIPTION**

The WAR series of architectural round wallpacks are available in up to MP 150W, HPS 150W, Fluorescent quad tube 2 x 42W, Induction 80W or LED 3 x 15W lamps.

Available in three front face styles:

- EL – Eyelid.
- GR - Grid.
- OF - Open Face.

U.L. listed for wet locations.

**APPLICATION**

Ideal for security lighting and entranceway lighting around commercial, industrial and residential buildings where an architectural pleasing product is desired along with the higher light levels possible with HID lamps.

**HOUSING**

The housing is made of high pressure die cast aluminum and finished in a polyester powder coat paint finish for lasting corrosion resistance. Available in dark bronze, white or black color finishes.

**BALLAST**

High Power Factor, CWA ballasts, Multi Tap (120/208/240/277V) or reactor 120V ballasts for HPS. Minimum starting temperature is -20°F (-30°C) for MP, -40°F (-40°C) for HPS. Electronic ballasts for Fluorescent. Multi Tap, electronic drivers for LED.

**SOCKET**

Medium base, 4KV pulse rated porcelain socket for HID lamps. Positive latching thermoplastic socket for fluorescent lamps.

**MOUNTING**

Knockout pattern provided on back casting for mounting to junction boxes. Four 1/2" threaded entry hubs provided for conduit wiring and through wiring.

**REFLECTOR**

Die formed, white polyester powder coat painted aluminum.

**GASKET**

Silicone rubber for long life.

**LENS**

Clear prismatic borosilicate glass, impact and heat resistant. Optional frosted glass lens available.

**CATALOG NUMBER LOGIC**

**WAR-**

**Product Series**

WAR = Wallpack  
Architectural  
Round

**MP**

**Lamp Type**

MP = Metal Halide  
Pulse Start  
HP = High Pressure  
Sodium  
FL = Fluorescent  
quad tube  
ID = Induction  
LD = LED

**150-**

**Lamp Wattage**

(MP) 70, 100, 150  
(HPS) 35, 50, 70,  
100, 150  
(FL) 226 = 2 x 26W  
232 = 2 x 32W  
242 = 2 x 42W  
(ID) 80  
(LED) 115 = 1 x 15W  
215 = 2 x 15W  
315 = 3 x 15W

**MT-**

**Voltage**

MT = Multi Tap  
120/208/240/277V  
DT = Dual Tap 120/277V  
120V = 120V  
480V = 480V

**GR**

**Face Style**

EL = Eyelid  
GR = Grid  
OF = Open Face

**L**

**Lamp**

L = Lamp  
Included

**OPTIONS**

PC-XXX – Button Photocell (XXX = specify voltage)  
EM – Emergency ballast for FL versions.

Q – Quartz restrike system with quartz lamp.  
QT – Quartz restrike system with time delay, with lamp.