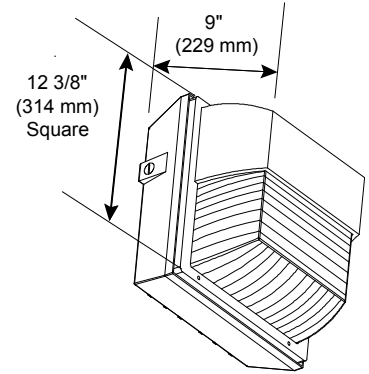




**VSMW - Vandal Resistant  
Surface Mount Wallpack**  
Metal Halide Pulse Start 70 – 150 W  
Metal Halide 175 W  
High Pressure Sodium 70 – 150 W  
Fluorescent Quad Tube 2 x 26 - 42 W  
Induction 40 W



**DESCRIPTION**

The VSMW is a 12" x 12" Vandal Resistant Surface Mounting Wallpack fixture for up to MP 150W, MH 175W, HPS 150W, Fluorescent quad tube 2 x 42W or Induction 40W lamps. Its rugged die cast aluminum housing and tough polycarbonate lens make it ideal for high abuse, vandalism prone areas. U.L. listed for wet locations.

**APPLICATION**

Ideal for security lighting around commercial, industrial and residential buildings where mounting heights are lower and vandal resistance is desired.

**HOUSING**

The housing and front cover is made of high pressure die cast aluminum and finished in a dark bronze polyester powder coat paint finish for lasting corrosion resistance.

**BALLAST**

High Power Factor, Constant Wattage Autotransformer ballasts, Multi Tap (120/208/240/277V) or reactor 120V ballasts for HPS. Minimum starting temperature is -20°F (-30°C) for MP and MH, -40°F (-40°C) for HPS. Electronic ballasts for Fluorescent 2x26, 32 or 42W in Dual Tap (120/277V).

**SOCKET**

Medium base, 4KV pulse rated porcelain socket for HID lamps. Positive latching thermoplastic socket for fluorescent lamps.

**REFLECTOR**

Die formed cold rolled steel with a high reflectance white polyester powder coat paint finish.

**GASKET**

Silicone rubber for long life.

**LENS**

Tough injection molded polycarbonate for extra impact resistance. UV stabilized.

**CATALOG NUMBER LOGIC**

**VSMW-**

**Product Series**

VSMW = Vandal Resistant  
Surface Mount  
Medium  
Wallpack

**MP**

**Lamp Type**

MP = Metal Halide  
Pulse Start  
MH = Metal Halide  
HP = High Pressure  
Sodium  
FL = Fluorescent  
quad tube  
ID = Induction

**150-**

**Lamp Wattage**

(MP) 70, 100, 150  
(MH) 175  
(HPS) 70, 100, 150  
(FL) 226 = 2 x 26W  
232 = 2 x 32W  
242 = 2 x 42W  
(ID) 40

**MT-**

**Voltage**

MT = Multi Tap  
120/208/240/277V  
DT = Dual Tap 120/277V  
120V = 120V  
480V = 480V

**L**

**Lamp**

L = Lamp  
Included

**OPTIONS**

PC-XXX – Button Photocell (XXX = specify voltage).