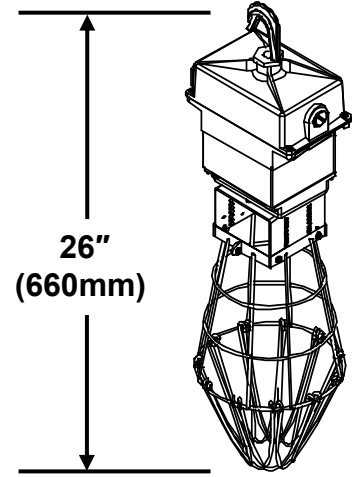




Lumenform

TL – Temporary Light
Metal Halide Pulse Start 200 – 400 W
Metal Halide 400 W
High Pressure Sodium 250 – 400 W



DESCRIPTION

The TL is a rugged Temporary Light that comes complete in a unit pack. U.L. damp location listed.

APPLICATION

Suitable for providing a large amount of light in construction areas. Can be used over and over again. Quick to install and take down with the included mounting hook.

HOUSING

The housing is made of high pressure die cast aluminum and finished in a white polyester powder coat paint finish for lasting corrosion resistance.

BALLAST

High Power Factor, Constant Wattage Autotransformer ballasts. Multi Tap (120/208/240/277V) or 480V ballasts. Minimum starting temperature is -20°F (-30°C) for MP and MH, -40°F (-40°C) for HPS.

SOCKET

Mogul base, 4KV pulse rated porcelain socket.

MOUNTING

Junction box and hook with safety screw included. 3/4" threaded opening on the top of the junction box for pendant mounting.

WIRE GUARD

Zinc plated steel wire guard with an open-close design for easy relamping. The wire guard protects the entire lamp including the bottom.

CATALOG NUMBER LOGIC

TL-

Product Series

TL = Temporary Light

MP

Lamp Type

MP = Metal Halide
Pulse Start
MH = Metal Halide
HP = High Pressure
Sodium

400-

Lamp Wattage

(MP) 200, 250, 320, 350, 400
(MH) 400, 400P (protected)
(HPS) 250, 400

OPTIONS

3C - 3' Cord (blunt end)

3CSBP - 3'cord with straight blade plug. Wired to 120V.

3CP-120V - 3' cord with NEMA twist lock plug. Wired to 120V.