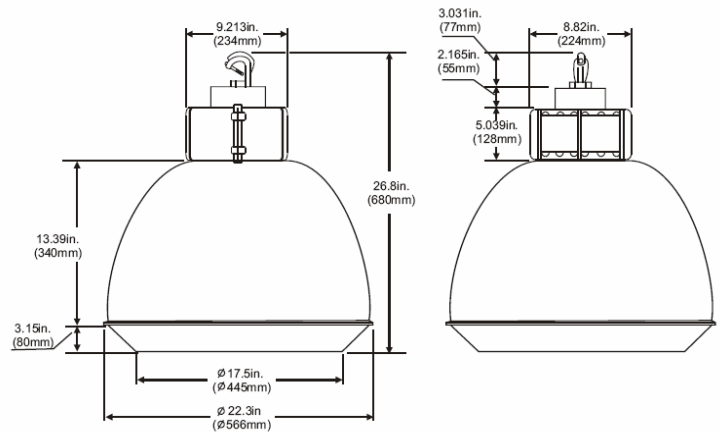




LB - Low Bay Acrylic
High Pressure Sodium 150 – 400 W
Metal Halide 175 – 400 W
Metal Halide Pulse Start 200 – 400 W



DESCRIPTION

The LB with fully acrylic optics is a specification grade product for commercial and industrial lighting where a greater amount of vertical surface illumination is needed. U.L. damp location listed.

APPLICATION

Suitable for use in commercial areas such as grocery stores and retail outlets where product is being merchandised. Can also be used in industrial areas where greater light levels on vertical surfaces is desired.

HOUSING

The housing is made of high pressure die cast aluminum and finished in a white polyester powder coat paint finish for lasting corrosion resistance.

BALLAST

High Power Factor, Constant Wattage Autotransformer ballasts. Multi Tap (120/208/240/277V) or 480V ballasts. Minimum starting temperature is -40°F (-40°C) for HPS and -20°F (-30°C) for MH.

SOCKET

Mogul base, 4KV pulse rated porcelain socket.

MOUNTING

Junction box and hook with safety screw included. Both parts are white polyester powder coat paint finished.

REFRACTOR

16" or 22" acrylic refractor with an acrylic drop dish.

CATALOG NUMBER LOGIC

LB-

Product Series
LB = Low Bay

MH

Lamp Type
HP = High Pressure Sodium
MH = Metal Halide
MP = Metal Halide Pulse Start

400-

Lamp Wattage (HPS) 150, 250, 400
(MH) 175, 250, 400
(MP) 200, 320, 350, 400

MT-

Voltage
MT = Multi Tap
120/208/240/277V
480V = 480V

ACDA22- L

Reflector/Refractor
ACDA16 = Acrylic refractor with Drop Acrylic dish.
ACDA22 = 22" version (for 400 W)

Lamp
L = Lamp Included

OPTIONS

Q – Quartz restrike system with quartz restrike lamp
 4CP-XXX – 4 foot Cord and NEMA Plug, XXX = specify voltage, 120 or 277V