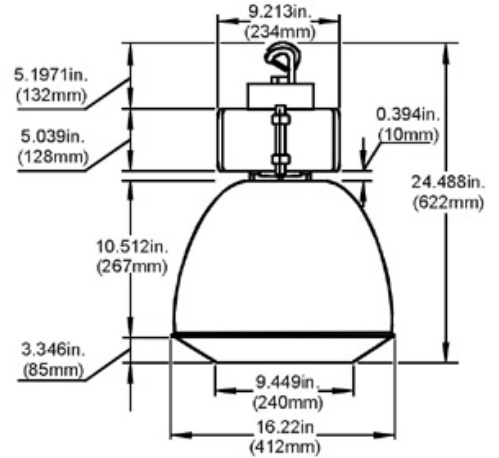




# Lumenform

**LB - Low Bay**  
High Pressure Sodium 150 – 400 W  
Metal Halide 175 – 400 W  
Metal Halide Pulse Start 200 – 400 W



### DESCRIPTION

The LB is a versatile Low Bay fixture for general purpose industrial lighting needs where a combination of horizontal and vertical illumination is needed. U.L. damp location listed.

### APPLICATION

Suitable for use in factories, assembly areas, warehouses and other areas which have mounting heights of less than 20' (6 m).

### HOUSING

The housing is made of high pressure die cast aluminum and finished in a white polyester powder coat paint finish for lasting corrosion resistance.

### BALLAST

High Power Factor, Constant Wattage Autotransformer ballasts. Multi Tap (120/208/240/277V) or 480V ballasts. Minimum starting temperature is -40°F (-40°C) for HPS and -20°F (-30°C) for MH.

### SOCKET

Mogul base, 4KV pulse rated porcelain socket.

### MOUNTING

Junction box and hook with safety screw included. Both parts are white polyester powder coat paint finished.

### REFLECTOR/REFRACTOR

16" or 22" white polyester powder coat painted aluminum reflector with a 16" or 22" drop dish acrylic refractor.

### CATALOG NUMBER LOGIC

**LB-**

**Product Series**  
LB = Low Bay

**MH**

**Lamp Type**  
HP = High Pressure Sodium  
MH = Metal Halide  
MP = Metal Halide Pulse Start

**400-**

**Lamp Wattage**  
(HPS) 150, 250, 400  
(MH) 175, 250, 400  
(MP) 200, 320, 350, 400

**MT-**

**Voltage**  
MT = Multi Tap  
120/208/240/277V  
480V = 480V

**AA16-**

**Reflector/Reflector**  
AA16 = White painted Aluminum reflector with Acrylic drop Refractor 16"  
AA22 = 22" version

**L**

**Lamp**  
L = Lamp Included

### OPTIONS

Q – Quartz restrike system with quartz restrike lamp  
4CP-XXX – 4 foot Cord and NEMA Plug, XXX = specify voltage, 120 or 277V