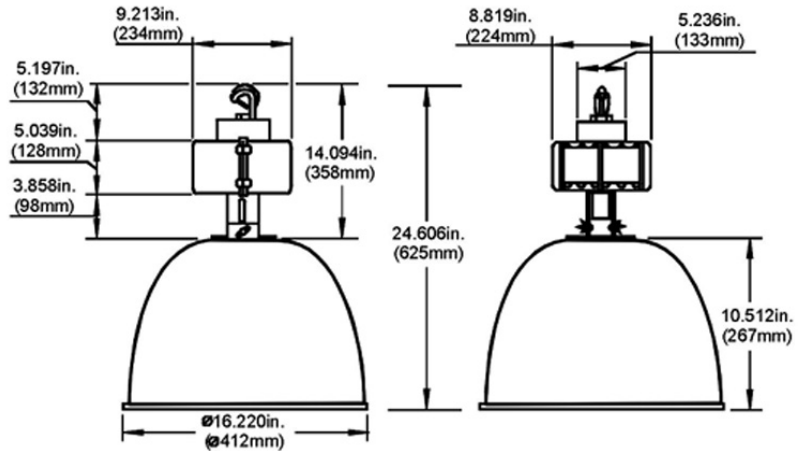




HB - High Bay Aluminum Reflector
Metal Halide Pulse Start 200 – 400 W
Metal Halide 400 W
High Pressure Sodium 150 – 400 W
Induction 80 W



DESCRIPTION

The HB is a versatile High Bay fixture for general purpose industrial lighting needs. U.L. damp location listed.

APPLICATION

Suitable for use in factories, warehouses and other areas that have mounting heights of 20' (6 m) or more.

HOUSING

The housing is made of high pressure die cast aluminum and finished in a white polyester powder coat paint finish for lasting corrosion resistance.

BALLAST

High Power Factor, Constant Wattage Autotransformer ballasts. Multi Tap (120/208/240/277V) or 480V ballasts. Minimum starting temperature is -20°F (-30°C) for MP and MH, -40°F (-40°C) for HPS.

SOCKET

Mogul base, 4KV pulse rated porcelain socket.

MOUNTING

Junction box and hook with safety screw included. 3/4" threaded opening on the top of the junction box for pendant mounting.

REFLECTOR

16" or 22" anodized aluminum. Adjustable positions for choice of distribution patterns.

CATALOG NUMBER LOGIC

HB-

Product Series
HB = High Bay

MP

Lamp Type
MP = Metal Halide Pulse Start
MH = Metal Halide
HP = High Pressure Sodium
ID = Induction

400-

Lamp Wattage
(MP) 200, 250, 320, 350, 400
(MH) 400
(HPS) 150, 250, 400
(ID) 80

MT-

Voltage
MT = Multi Tap
(120/208/240/277V)
480V = 480V

AL16-

Reflector
AL16 = Aluminum 16"
AL22 = Aluminum 22"

L

Lamp
L = Lamp
Included

OPTIONS

Q – Quartz restrike system with quartz restrike lamp
 QT – Quartz restrike system with time delay, with quartz restrike lamp.
 3CP-XXX – 3 foot Cord and NEMA Plug, XXX = specify voltage, 120 or 277V
 WG16 or WG22 – Wire Guard 16" or 22"
 FG16 or FG22 – Flat Glass 16" or 22" with clamp band for mounting. Tempered glass.
 F1-XXX or F2-XXX – Single or Double Fuse. XXX = specify voltage.
 SC3 – Safety Cable 3'.