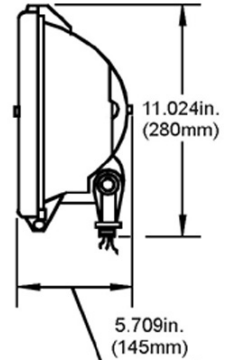
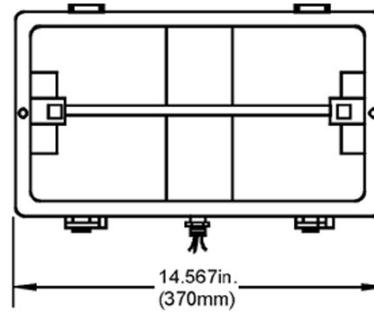




Lumenform

FQ - Floodlight Quartz Halogen Knuckle Mounting Quartz Halogen 1500 W



DESCRIPTION

The FQ 1500W Quartz Halogen floodlight delivers optimal performance in a compact, economical design. U.L. listed for wet locations.

APPLICATION

Ideal for floodlighting applications in commercial, industrial and residential areas where color rendering is important. Can be used for floodlighting signs, objects and for security lighting around buildings.

HOUSING

The housing is made of high pressure die cast aluminum and finished in a dark bronze polyester powder coat paint finish for lasting corrosion resistance.

SOCKET

Porcelain sockets for quartz lamps.

MOUNTING

Versatile knuckle mount allows mounting on walls, floors and into 1/2" NPS outlet boxes.

REFLECTOR

Die formed, anodized aluminum.

DOOR & LATCH

Die cast aluminum door. Stainless steel door frame latching clip.

LENS

Clear tempered glass, impact and heat resistant.

CATALOG NUMBER LOGIC

FQ-

Product Series
FQ = Floodlight
Quartz Halogen

QH

Lamp Type
QH = Quartz
Halogen

1500-

Lamp Wattage
(QH) 1500

240V-

Voltage
240V = 240V

L

Lamp
L = Lamp
Included