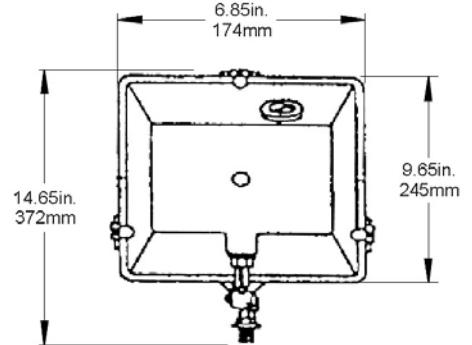
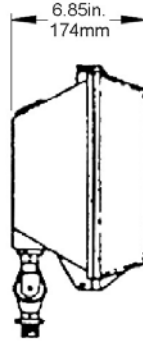




**FM - Floodlight Medium Wattage  
Knuckle Mounting**  
Fluorescent Quad Tube 2 x 42 W  
High Pressure Sodium 35 - 150 W  
Metal Halide 50 - 175 W



**DESCRIPTION**

The FM is a rugged and compact floodlight for up to Fluorescent 2 x 42W, HPS 150W or MH 175W. U.L. listed for wet locations.

**APPLICATION**

Suitable for applications such as facades, signs, landscape lighting and security lighting around buildings.

**HOUSING**

The housing is made of high pressure die cast aluminum and finished in a dark bronze polyester powder coat paint finish for lasting corrosion resistance.

**BALLAST**

High Power Factor, Constant Wattage Autotransformer ballasts. Multi Tap (120/208/240/277V). Minimum starting temperature is -40°F (-40°C) for HPS and -20°F (-30°C) for MH. Electronic ballasts for Fluorescent 2x26, 32 or 42W in Dual Tap (120/277V).

**SOCKET**

Medium base, 4KV pulse rated porcelain socket for HID lamps. Positive latching thermoplastic socket for fluorescent lamps.

**MOUNTING**

Versatile knuckle mount allows mounting on walls, floors and into 1/2" NPS outlet boxes.

**REFLECTOR**

Die formed, anodized aluminum.

**GASKET**

Silicone rubber for long life.

**LENS**

Clear tempered glass, impact and heat resistant.

**CATALOG NUMBER LOGIC**

**FM-**

**Product Series**  
FM = Floodlight  
Medium  
Wattage

**MH**

**Lamp Type**  
FL = Fluorescent  
quad tube  
HP = High Pressure  
Sodium  
MH = Metal Halide

**175-**

**Lamp Wattage**  
(FL) 242 = 2 x 42W  
(HPS) 35, 50, 70, 100, 150  
(MH) 50, 70, 100, 175

**MT-**

**Voltage**  
MT = Multi Tap  
120/208/240/277V  
DT = Dual Tap 120/277V  
120V = 120V  
480V = 480V

**KM-**

**Mounting**  
KM = Knuckle  
Mounting

**L**

**Lamp**  
L = Lamp  
Included