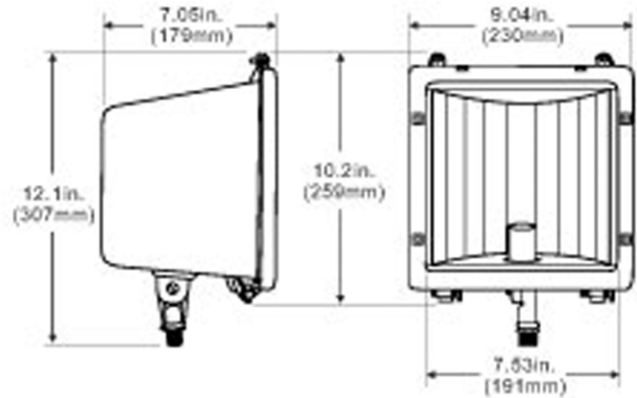




**FM2 - Floodlight Medium Wattage
Knuckle Mounting**
Metal Halide Pulse Start 50 – 150 W
Metal Halide 175 W
High Pressure Sodium 35 – 150 W
Fluorescent Quad Tube 2 x 26 - 42 W
LED 1 - 2 x 15 W



DESCRIPTION

The FM2 is a rugged and compact floodlight for up to MP 150W, MH 175W, HPS 150W, Fluorescent 2 x 42W or LED 2 x 15W. U.L. listed for wet locations.

APPLICATION

Suitable for applications such as facades, signs, landscape lighting and security lighting around buildings.

HOUSING

The housing is made of high pressure die cast aluminum and finished in a dark bronze polyester powder coat paint finish for lasting corrosion resistance.

BALLAST

High Power Factor, Constant Wattage Autotransformer ballasts, Multi Tap (120/208/240/277V) or reactor 120V ballasts for HPS. Minimum starting temperature is -20°F (-30°C) for MP and MH, -40°F (-40°C) for HPS. Electronic ballasts for Fluorescent 2x26, 32 or 42W in Dual Tap (120/277V). Multi Tap, electronic drivers for LED.

SOCKET

Medium base, 4KV pulse rated porcelain socket for HID lamps. Positive latching thermoplastic socket for fluorescent lamps.

MOUNTING

Versatile knuckle mount allows mounting on walls, floors and into ½" NPS outlet boxes.

REFLECTOR

Die formed, anodized aluminum. Available in Wide Beam or Spot Reflectors.

GASKET

Silicone rubber for long life.

LENS

Clear tempered glass, impact and heat resistant.

CATALOG NUMBER LOGIC

FM2-

Product Series
 FM2 = Floodlight Medium Wattage

MP

Lamp Type
 MP = Metal Halide Pulse Start
 MH = Metal Halide Sodium
 HP = High Pressure Sodium
 FL = Fluorescent quad tube
 LD = LED

150-

Lamp Wattage
 (MP) 50, 70, 100, 150
 (MH) 175
 (HPS) 35, 50, 70, 100, 150
 (FL) 226 = 2 x 26W
 232 = 2 x 32W
 242 = 2 x 42W
 (LED) 115 = 1 x 15W
 215 = 2 x 15W

MT-

Voltage
 MT = Multi Tap 120/208/240/277V
 DT = Dual Tap 120/277V
 120V = 120V
 480V = 480V

KM-

Mounting
 KM = Knuckle Mounting

SP-

Reflector
 Blank = Wide Beam
 SP = Spot Reflector

L

Lamp
 L = Lamp Included