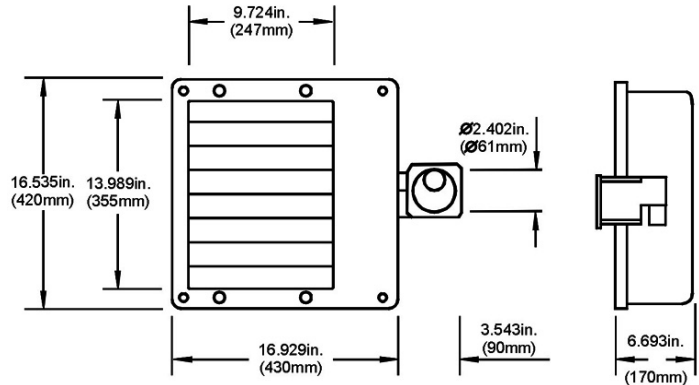




**FH - Floodlight High Wattage
Slipfitter Mounting**
High Pressure Sodium 150 – 400 W
Metal Halide 175 – 400 W
Metal Halide Pulse Start 200 – 400 W



DESCRIPTION

The FH is a general purpose Floodlight for up to 400W lamps. It has a wide beam distribution pattern allowing it to be used in almost any floodlighting application. U.L. listed for wet locations.

APPLICATION

Suitable for lighting large open areas such as parking lots, storage yards, construction sites, marinas, industrial areas and around buildings.

HOUSING

The housing is made of high pressure die cast aluminum and finished in a dark bronze polyester powder coat paint finish for lasting corrosion resistance.

BALLAST

High Power Factor, Constant Wattage Autotransformer ballasts. Multi Tap (120/208/240/277V) or 480V ballasts. Minimum starting temperature is -40°F (-40°C) for HPS and -20°F (-30°C) for MH.

SOCKET

Mogul base, 4KV pulse rated porcelain socket.

MOUNTING

Die cast aluminum slipfitter with dark bronze polyester powder coat paint finish. For use with 2 3/8" - 3" O.D. tenons.

REFLECTOR

Die formed, anodized aluminum.

GASKET

Silicone rubber for long life.

LENS

Clear tempered glass, impact and heat resistant.

EPA

Effective Projected Area at 45° tilt is 1.50

CATALOG NUMBER LOGIC

FH-

Product Series
FH = Floodlight
High Wattage

MH

Lamp Type
HP = High Pressure
Sodium
MH = Metal Halide
MP = Metal Halide
Pulse Start

400-

Lamp Wattage
(HPS) 150, 250, 400
(MH) 175, 250, 400
(MP) 200, 320, 350, 400

MT-

Voltage
MT = Multi Tap
120/208/240/277V
480V = 480V

SF-

Mounting
SF = Slipfitter

L

Lamp
L = Lamp
Included

OPTIONS

FH-WG – Wire Guard
FH-GS – Glare Shield

FH-VS – Vandal Shield
FH-BF – Full Baffle

PC-XXX – Button Photocell (XXX = specify voltage)
PCTL-XXX Twist Lock receptacle and photocell (XXX = specify voltage)