



# Lumenform

## FH - Floodlight High Wattage Slipfitter, Trunnion or Yoke Mounting

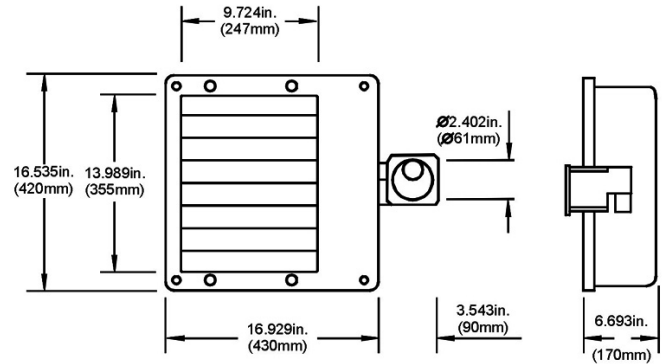
Metal Halide Pulse Start 200 – 400 W

Metal Halide 175 – 400 W

High Pressure Sodium 150 – 400 W

Induction 80 - 120 W

LED 4 - 5 x 15 W



### DESCRIPTION

The FH is a general purpose Floodlight for up to 400W HID lamps, 120W Induction lamps or LED 5 x 15W lamps. It has a wide beam distribution pattern allowing it to be used in almost any floodlighting application. U.L. listed for wet locations.

### APPLICATION

Suitable for lighting large open areas such as parking lots, storage yards, construction sites, marinas, industrial areas and around buildings.

### HOUSING

The housing is made of high pressure die cast aluminum and finished in a dark bronze polyester powder coat paint finish for lasting corrosion resistance.

### BALLAST

High Power Factor, Constant Wattage Autotransformer ballasts. Multi Tap (120/208/240/277V) or 480V ballasts. Minimum starting temperature is -20°F (-30°C) for MP and MH, -40°F (-40°C) for HPS. Multi Tap, electronic drivers for LED.

### SOCKET

Mogul base, 4KV pulse rated porcelain socket for HID.

### MOUNTING

Die cast aluminum slipfitter (shown) with dark bronze polyester powder coat paint finish. For use with 2 3/8" - 3" O.D. tenons. Also available in Trunnion and Yoke versions.

### REFLECTOR

Die formed, anodized aluminum.

### GASKET

Silicone rubber for long life.

### LENS

Clear tempered glass, impact and heat resistant.

### EPA

Effective Projected Area at 45° tilt is 1.50

## CATALOG NUMBER LOGIC

**FH-**

**Product Series**  
FH = Floodlight  
High Wattage

**MP**

**Lamp Type**  
MP = Metal Halide  
Pulse Start  
MH = Metal Halide  
HP = High Pressure  
Sodium  
ID = Induction  
LD = LED

**400-**

**Lamp Wattage**  
(MP) 200, 250, 320, 350, 400  
(MH) 175, 250, 400  
(HPS) 150, 250, 400  
(ID) 80, 100, 120  
(LED) 415 = 4 x 15W  
515 = 5 x 15W

**MT-**

**Voltage**  
MT = Multi Tap  
120/208/240/277V  
480V = 480V

**SF-**

**Mounting**  
SF = Slipfitter  
TR = Trunnion  
YK = Yoke

**L**

**Lamp**  
L = Lamp  
Included

## OPTIONS

FH-WG – Wire Guard  
FH-GS – Glare Shield

FH-VS – Vandal Shield  
FH-BF – Full Baffle

PC-XXX – Button Photocell (XXX = specify voltage)  
PCTL-XXX Twist Lock receptacle and photocell (XXX = specify voltage)