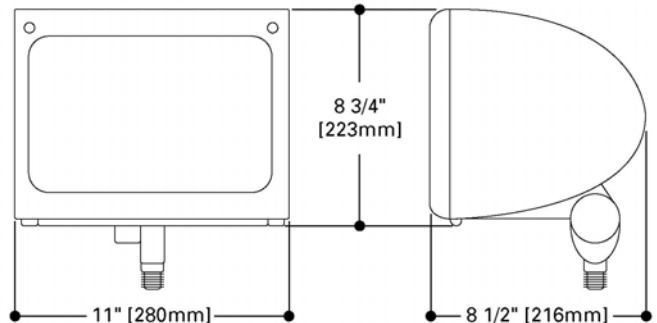




**FAR – Floodlight
Architectural Round back
Knuckle Mounting
Metal Halide Pulse Start 50 – 150 W
High Pressure Sodium 35 – 150 W
Fluorescent Quad Tube 1 x 26 - 42 W
Induction 40 W
LED 1 - 2 x 15 W**



DESCRIPTION

The FAR floodlight is an architecturally appealing lighting instrument with superior form and fit. While made of rugged, long lasting materials, it's rounded back design and soft rounded edges make it architecturally desirable even in high visibility areas. Suitable for up to MP 150W, HPS 150W, Fluorescent 1 x 42W, Induction 40W lamps or LED 2 x 15W. U.L. listed for wet locations.

APPLICATION

Suitable for applications such as facades, signs, landscape lighting and security lighting around buildings. Use where an architecturally pleasing fixture is desired due to day time visibility.

HOUSING

The housing is made of high pressure die cast aluminum and finished in a textured dark bronze polyester powder coat paint finish for lasting corrosion resistance. Rounded edges and stylish grooves on the back of the fixture add to its aesthetic appeal.

BALLAST

High Power Factor, Constant Wattage Autotransformer ballasts, Multi Tap (120/208/240/277V) or reactor 120V ballasts for HPS. Minimum starting temperature is -20°F (-30°C) for MP, -40°F (-40°C) for HPS. Electronic ballasts for Fluorescent 1x26, 32 or 42W in Dual Tap (120/277V). Multi Tap, electronic drivers for LED.

SOCKET

Medium base, 4KV pulse rated porcelain socket for HID lamps. Positive latching thermoplastic socket for fluorescent lamps.

MOUNTING

Heavy duty, versatile knuckle mount allows mounting on walls, floors and into 1/2" NPS outlet boxes.

REFLECTOR

Computer designed, die formed, anodized aluminum reflector is designed for low glare and high efficiency.

DOOR / GASKET

Door frame is held on with a continuous piano hinge and closes with stainless steel captive hardware resulting in a precise and secure fit. Silicone rubber gasket for long life.

LENS

Clear tempered glass, impact and heat resistant.

CATALOG NUMBER LOGIC

FAR-

Product Series
FAR = Floodlight
Architectural
Round Back

MP

Lamp Type
MP = Metal Halide
Pulse Start
HP = High Pressure
Sodium
FL = Fluorescent
quad tube

ID = Induction
LD = LED

150-

Lamp Wattage
(MP) 50, 70, 100, 150
(HPS) 35, 50, 70, 100, 150
(FL) 126 = 1 x 26W
132 = 1 x 32W
142 = 1 x 42W
(ID) 40
(LED) 115 = 1 x 15W
215 = 2 x 15W

MT-

Voltage
MT = Multi Tap
120/208/240/277V
DT = Dual Tap 120/277 V
120V = 120V

KM-

Mounting
KM = Knuckle
Mounting

L

Lamp
L = Lamp
Included

OPTIONS

FAR-WG – Wire guard

FAR-GS – Glare Shield

FAR-VS – Vandal Shield