



CUTOFF WALL PACKS

- WPWC** – Wall Pack Wedge Cutoff
- WPSC** – Wall Pack Small Cutoff
- WPMC** – Wall Pack Medium Cutoff
- WPLC** – Wall Pack Large Cutoff



WPWC
Max. 100W



WPSC
Max. HPS 150W
MH 175W



WPMC
Max. 250W



WPLC
Max. 400W

DESCRIPTION

A family of products offering cutoff versions of the most popular wall packs in the industry to provide Dark Sky friendly lighting. All products provide a cutoff of 15 degrees below horizontal and do not scatter any light upwards to help maintain dark skies. U.L. listed for wet locations.

APPLICATION

Ideal for security lighting around commercial, industrial and residential buildings where limiting glare and light trespass are important.

HOUSING

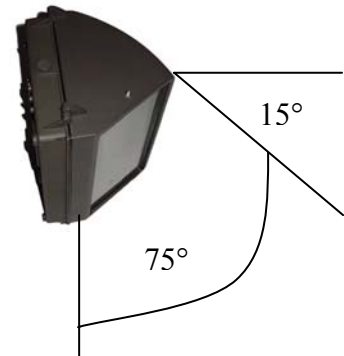
The housing is made of high pressure die cast aluminum and finished in a dark bronze polyester powder coat paint finish for lasting corrosion resistance. Patterned tempered glass lens helps minimize direct lamp image.

BALLAST

High Power Factor, Constant Wattage Autotransformer ballasts. Multi Tap (120/208/240/277V) or 480V ballasts. Minimum starting temperature is -40°F (-40°C) for HPS and -20°F (-30°C) for MH. Reactor ballasts used for low wattage HPS.

CUTOFF ANGLE

All versions provide a 15 degree cutoff below horizontal.



CATALOG NUMBER LOGIC

WPMC-

Product Series

WPWC = Wall pack Wedge, Cutoff
WPSC = Wall Pack Small, Cutoff
WPMC = Wall Pack Medium, Cutoff
WPLC = Wall Pack Large, Cutoff

MH

Lamp Type

HP = High Pressure Sodium
MH = Metal Halide

250-

Lamp Wattage

WPWC (HPS 70, 100) (MH 70, 100)
WPSC (HPS 100, 150) (MH 175)
WPMC (HPS 250) (MH 250)
WPLC (HPS 400) (MH 400)

MT-

Voltage

MT = Multi Tap
120/208/240/277V
480V = 480V

L

Lamp

L = Lamp Included