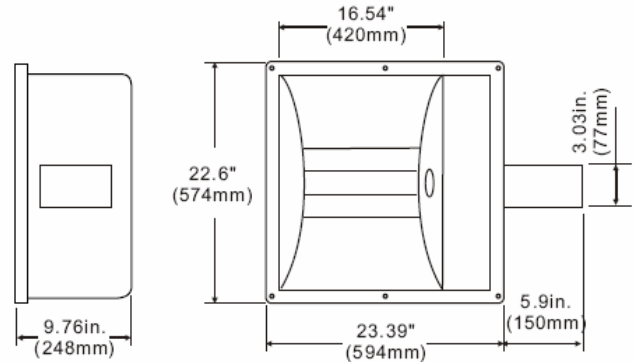




**ASBT – Arealighting Shoe Box  
 Thousand Watt - Arm Mounting**  
 Metal Halide Pulse Start 750 W  
 Metal Halide 1000 W  
 High Pressure Sodium 1000 W  
 Induction 150 – 2x150 W  
 LED 8 - 10 x 15 W



**DESCRIPTION**

The ASB is an aesthetic Arealighting Shoe Box for up to MP 750W, MH 1000W, HPS 1000W, Induction 2 x 150W lamps or LED 10 x 15W lamps. It comes with a 6" arm for mounting on poles. U.L. listed for wet locations.

**APPLICATION**

Idea for lighting parking lots and other large open areas where aesthetics are important and higher mounting heights are available.

**HOUSING**

The housing is made of high pressure die cast aluminum and finished in a dark bronze polyester powder coat paint finish for lasting corrosion resistance.

**BALLAST**

High Power Factor, Constant Wattage Autotransformer ballasts. Multi Tap (120/208/240/277V) or 480V ballasts. Minimum starting temperature is -20°F (-30°C) for MP and MH, -40°F (-40°C) for HPS. Multi Tap, electronic drivers for LED.

**SOCKET**

Mogul base, 4KV pulse rated porcelain socket.

**MOUNTING**

6" (150 mm) Die cast aluminum arm with dark bronze polyester powder coat paint finish. Optional 12" or 18" mounting arms.

**REFLECTOR**

Die formed, anodized aluminum.

**GASKET**

Silicone rubber for long life.

**LENS**

Clear tempered glass, impact and heat resistant.

**EPA**

Effective Projected Area at 0° tilt is 1.64 (includes mounting arm).

**CATALOG NUMBER LOGIC**

**ASBT-**

**Product Series**

ASB = Arealighting Shoe Box  
 Thousand Watt

**MH**

**Lamp Type**

MP = Metal Halide Pulse Start  
 MH = Metal Halide  
 HP = High Pressure Sodium  
 ID = Induction  
 LD = LED

**1000-**

**Lamp Wattage**

(MP) 750  
 (MH) 1000  
 (HPS) 1000  
 (ID) 150, 200, 2x150  
 (LED) 815 = 8 x 15W  
 1015 = 10 x 15W

**MT-**

**Voltage**

MT = Multi Tap  
 120/208/240/277V  
 480V = 480V

**AM-**

**Mounting**

AM = Arm Mounting Square Poles  
 AMR = Arm Mounting Round Poles

**L**

**Lamp**

L = Lamp Included

**OPTIONS**

ASB-AM12 – 12" mounting arm.  
 ASB-AM18 – 18" mounting arm.

PC-XXX – Button Photocell (XXX = specify voltage)  
 PCTL-XXX Twist Lock receptacle and photocell (XXX = specify voltage)